

b-Vortex-RGB



(The picture is for reference only, please refer to the actual object)

This is the original instruction, please read all manual instructions carefully before operating. b-Vortex-RGB reserves a clear interpretation of our user manual. The appearance of the product shall be subject to the product you received. Please forgive us that we won't inform you again if there are any technology or software updates on our product.

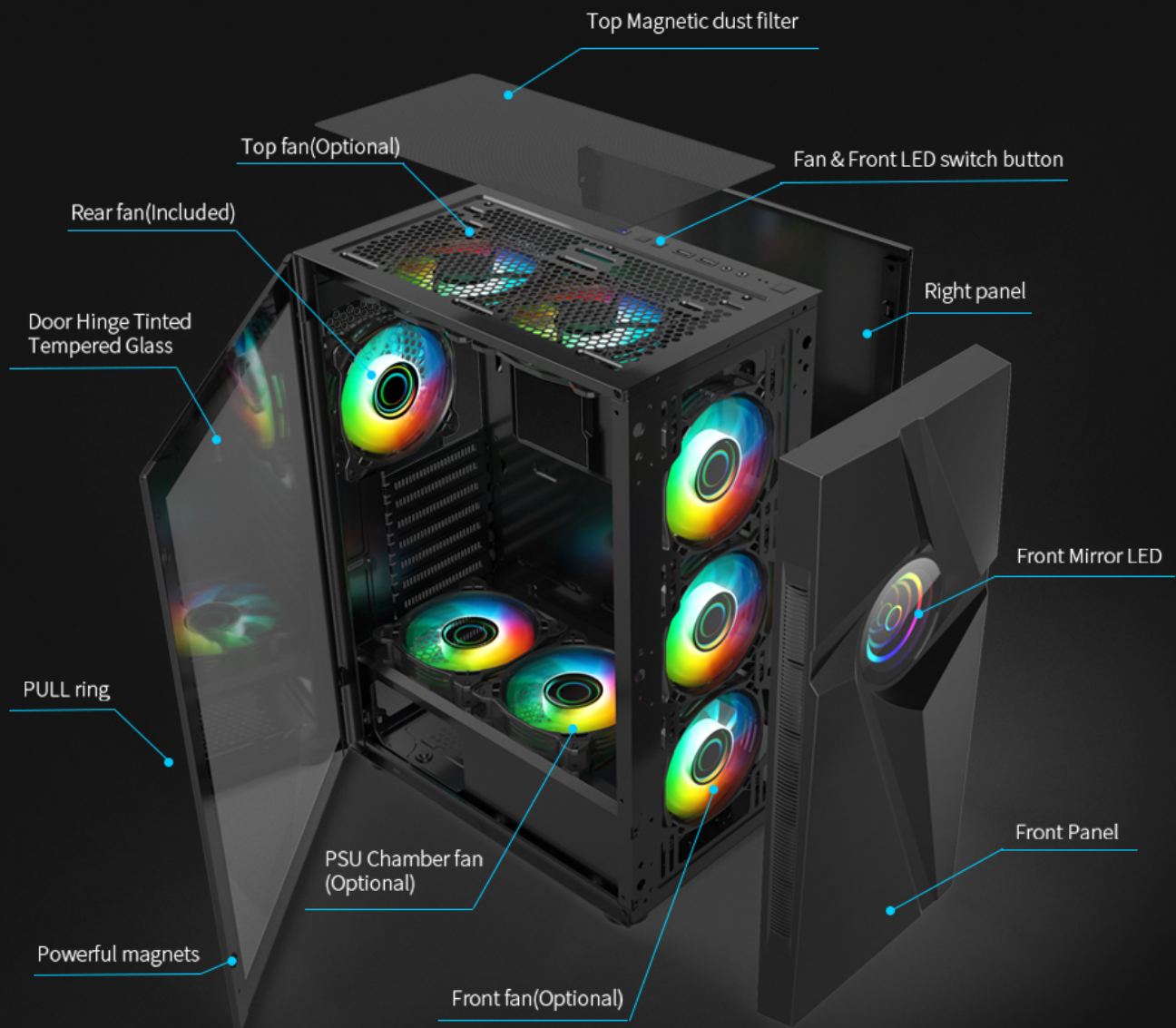


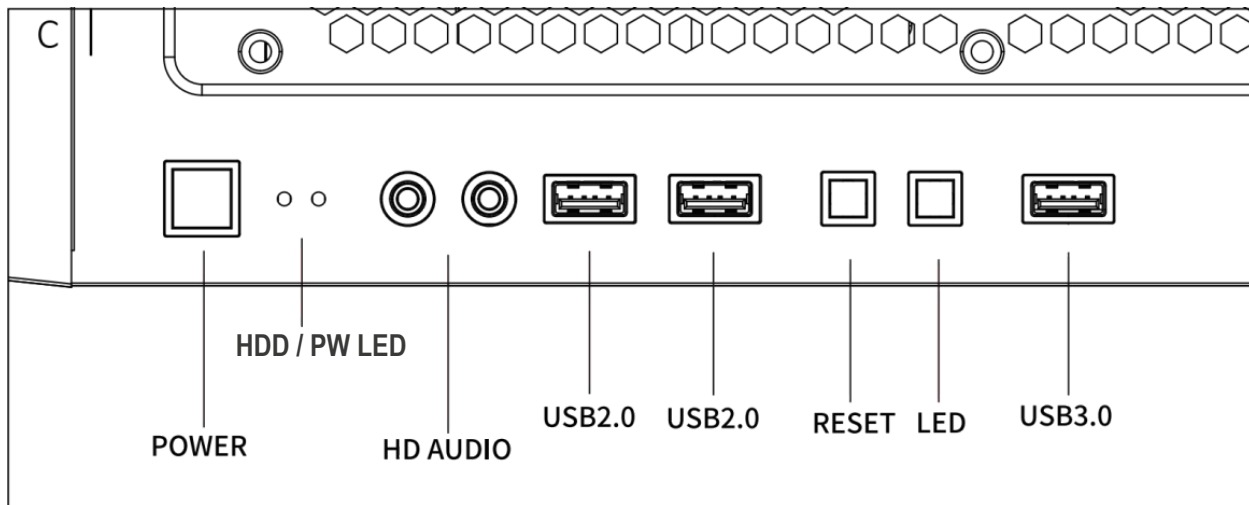
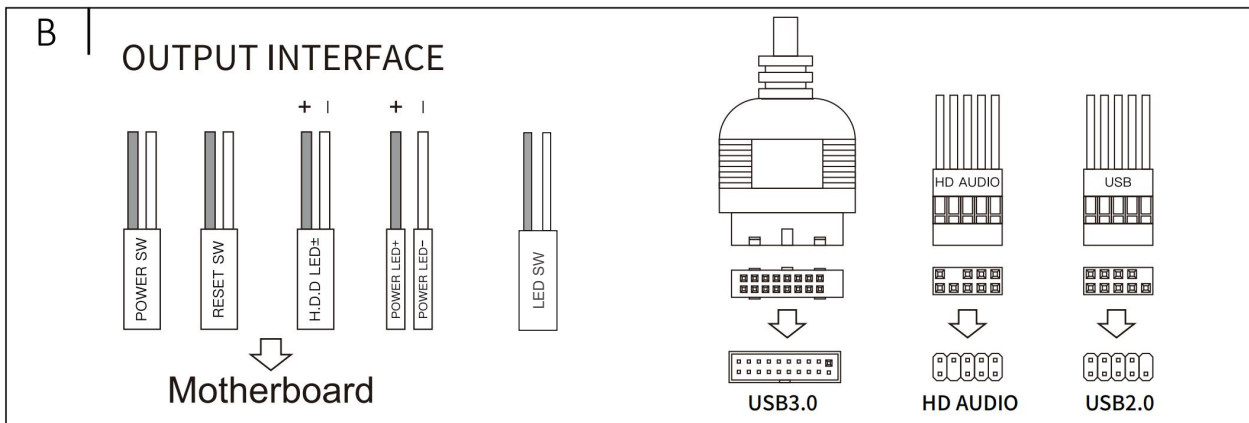
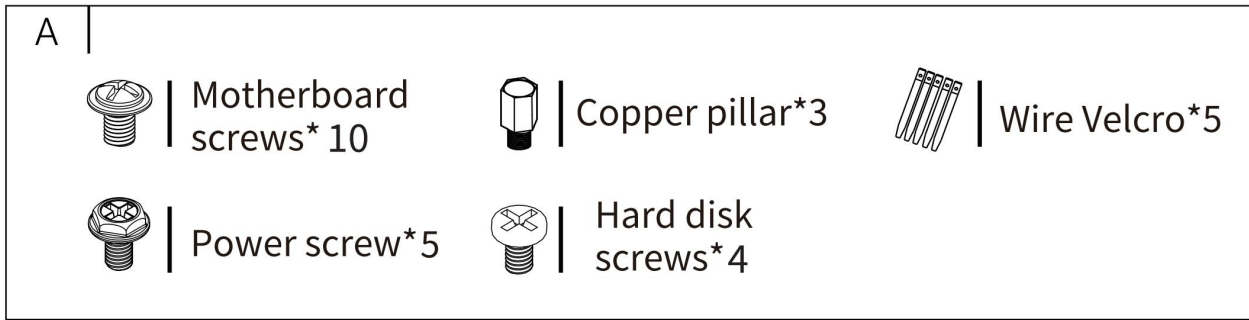
Warning-To reduce the risk of injury, user must read instructions manual carefully.



This product is subject to the provision of European Directive 2012/19/EC. The symbol showing a wheelie bin crossed through indicates that the product requires separate refuse collection in the European Union. This applies to the product and all accessories marked with this symbol. Products marked as such may not be discarded with normal domestic waste, but must be taken to a collection point for recycling electrical and electronic devices.

PRODUCT PARAMETERS

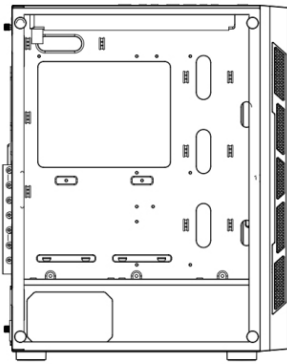




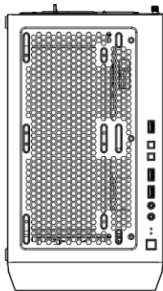
D |



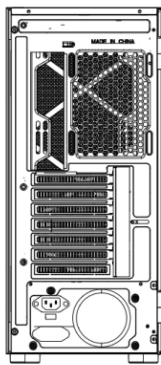
FRONT PANEL



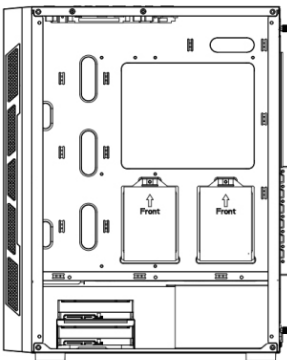
LEFT SIDE



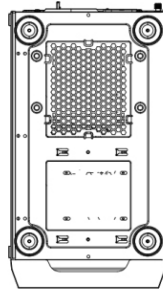
TOP



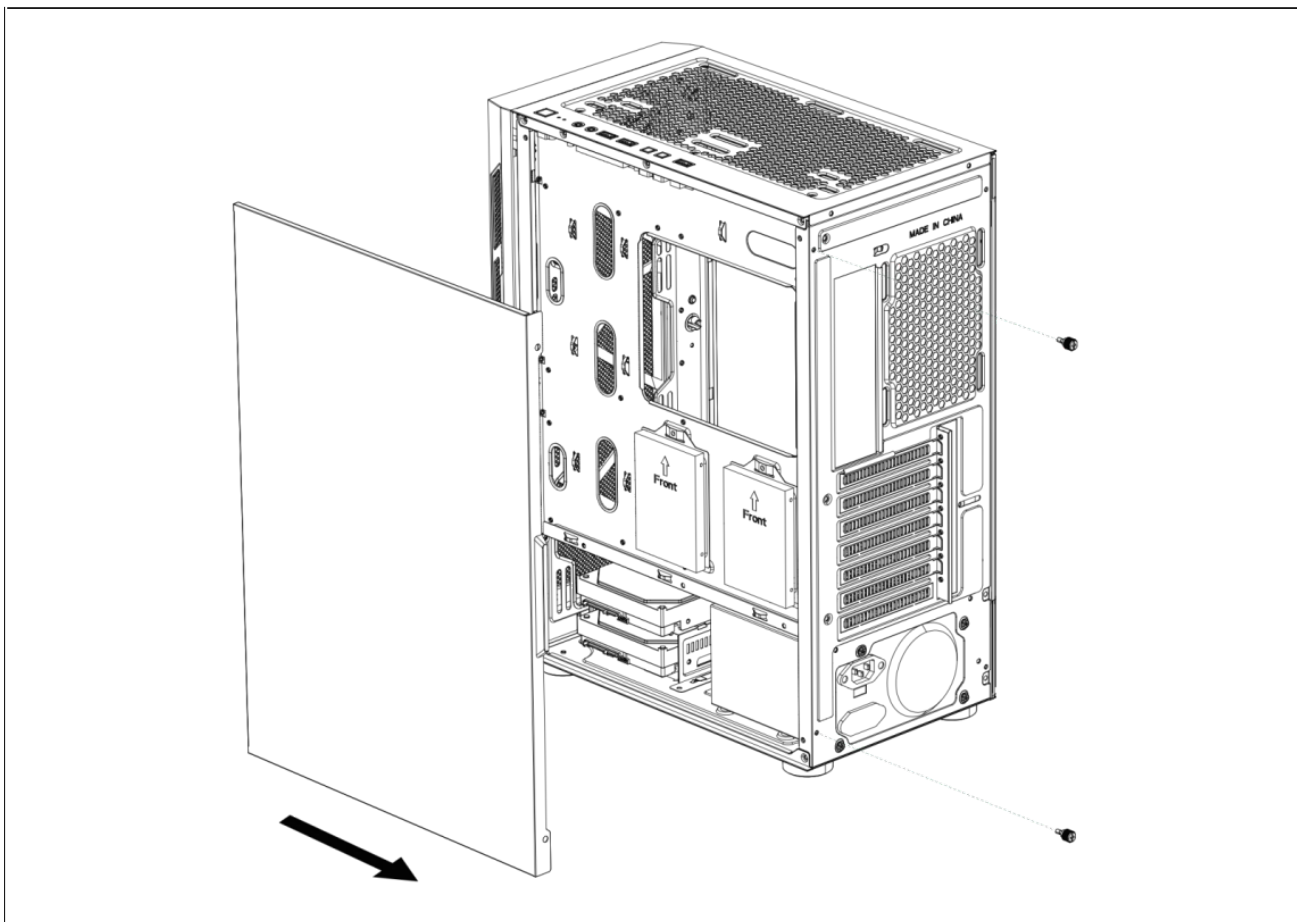
BACK



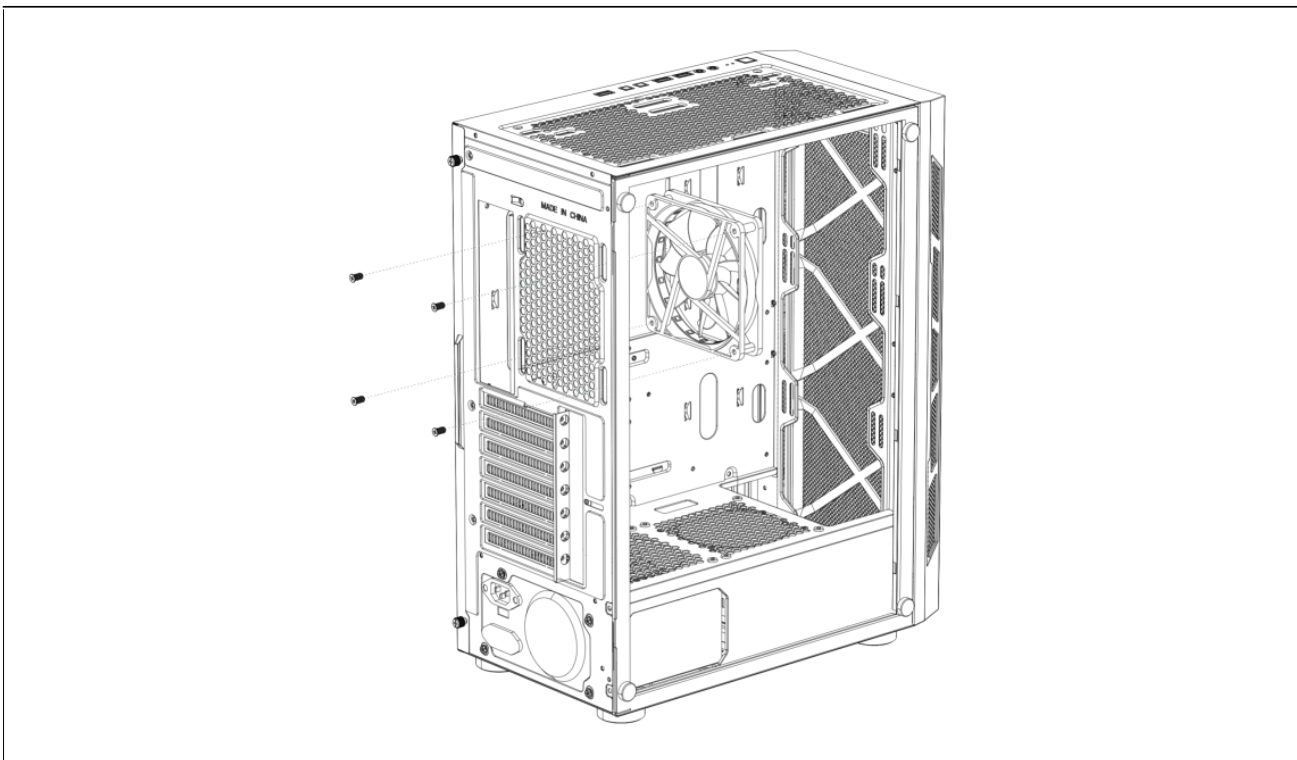
RIGHT SIDE



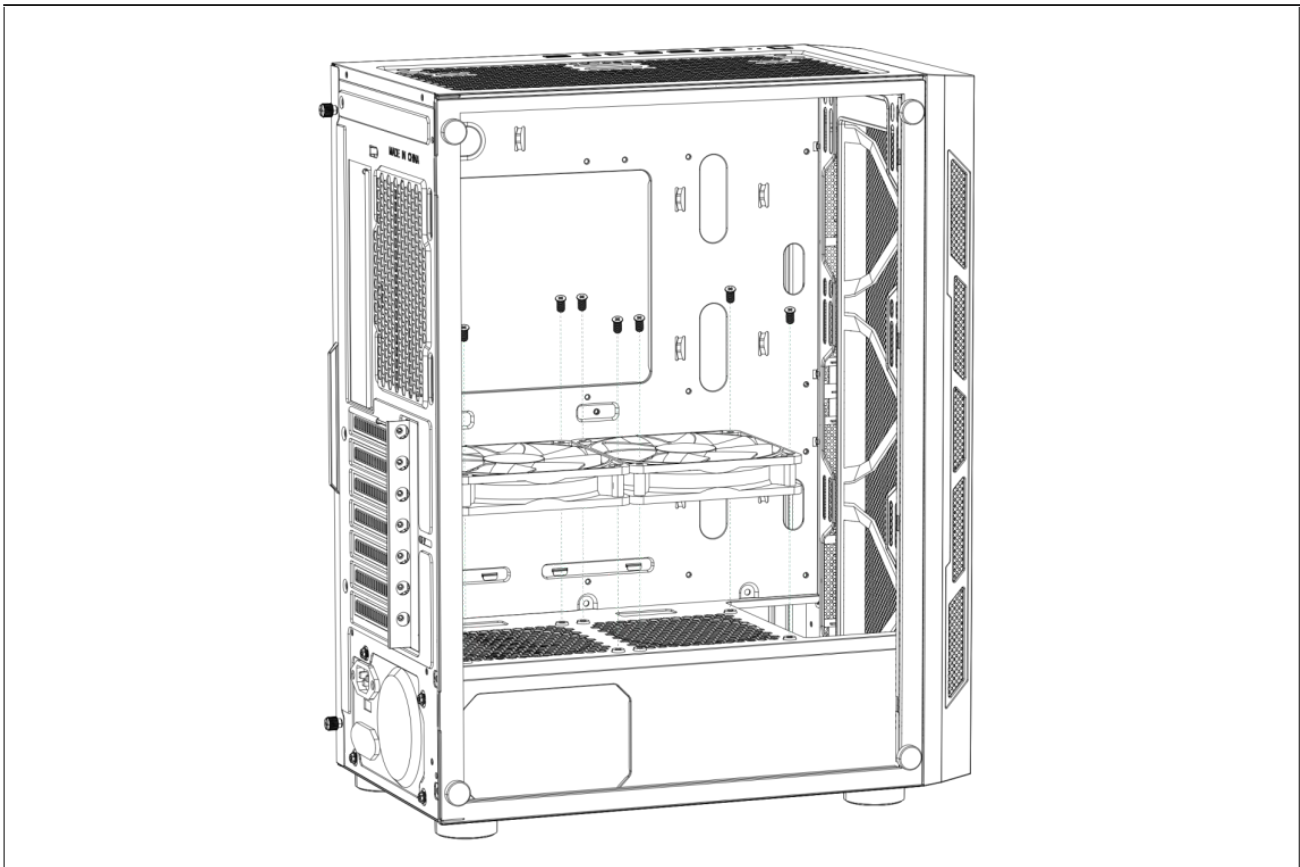
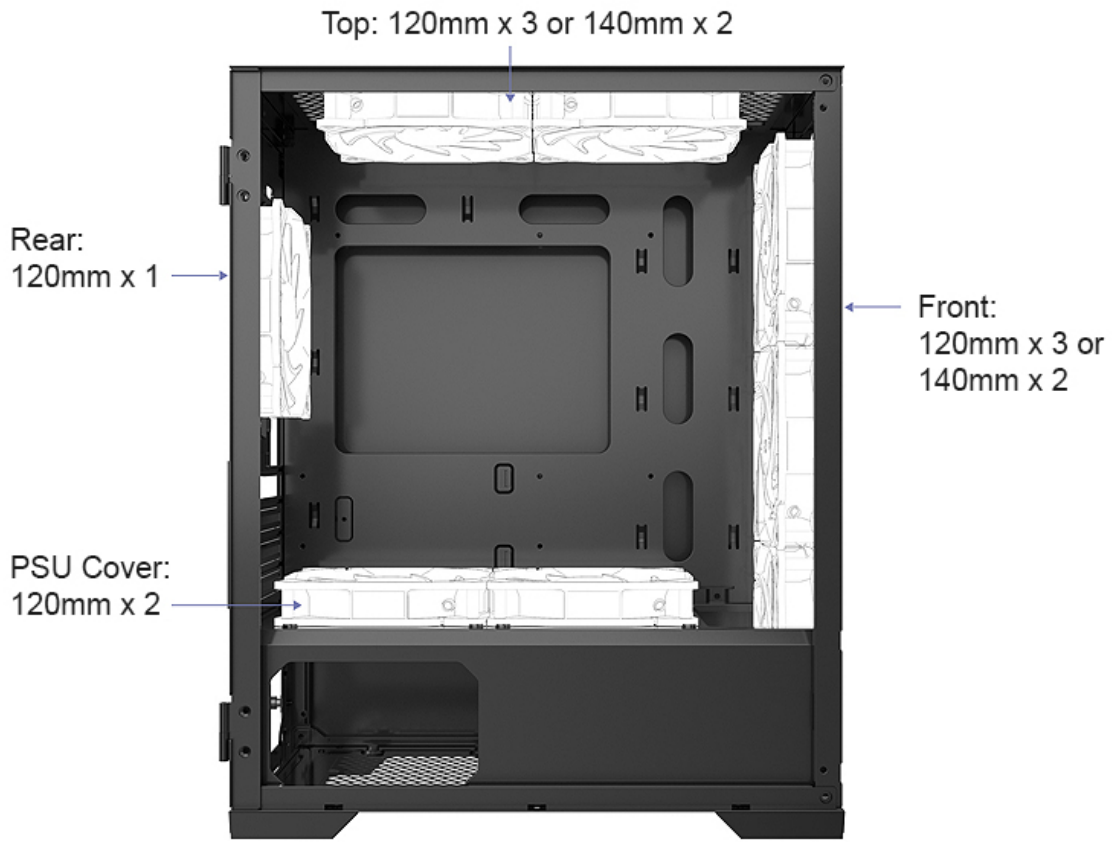
BOTTOM



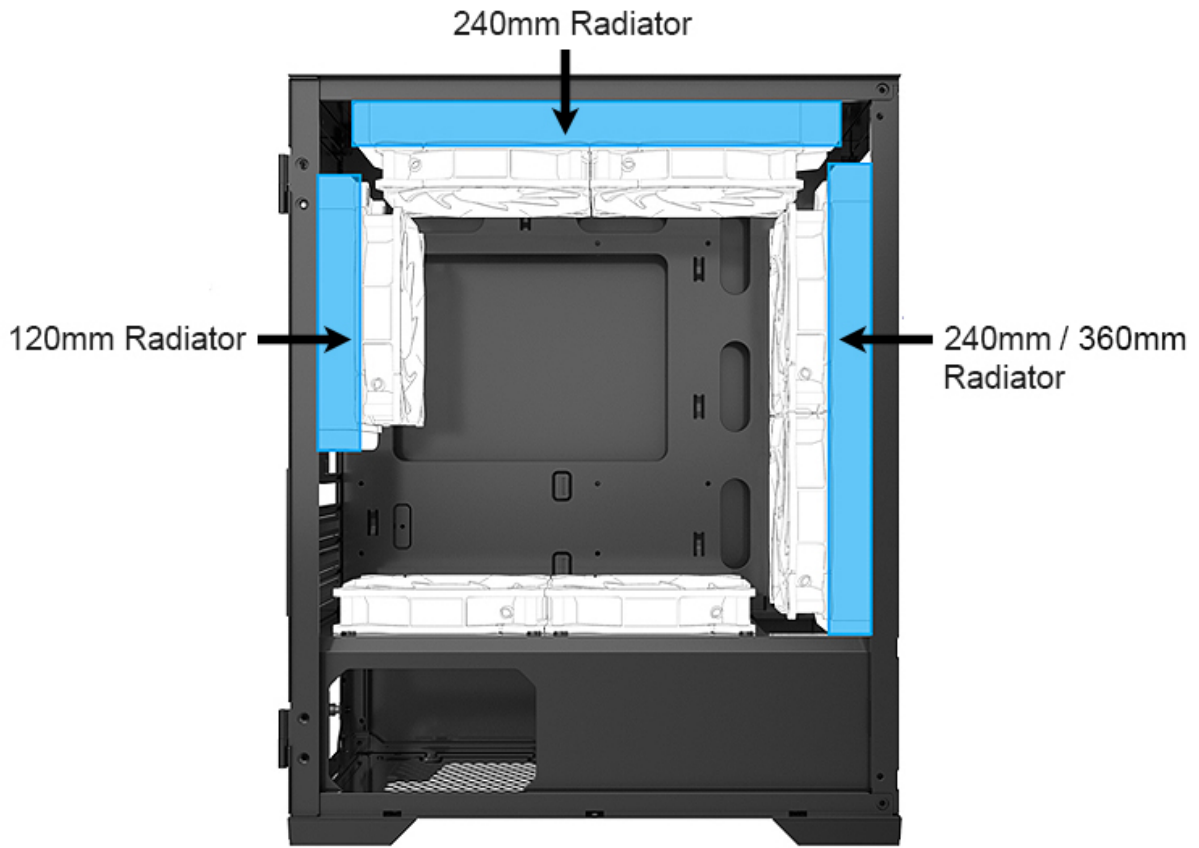
Open the right side panel



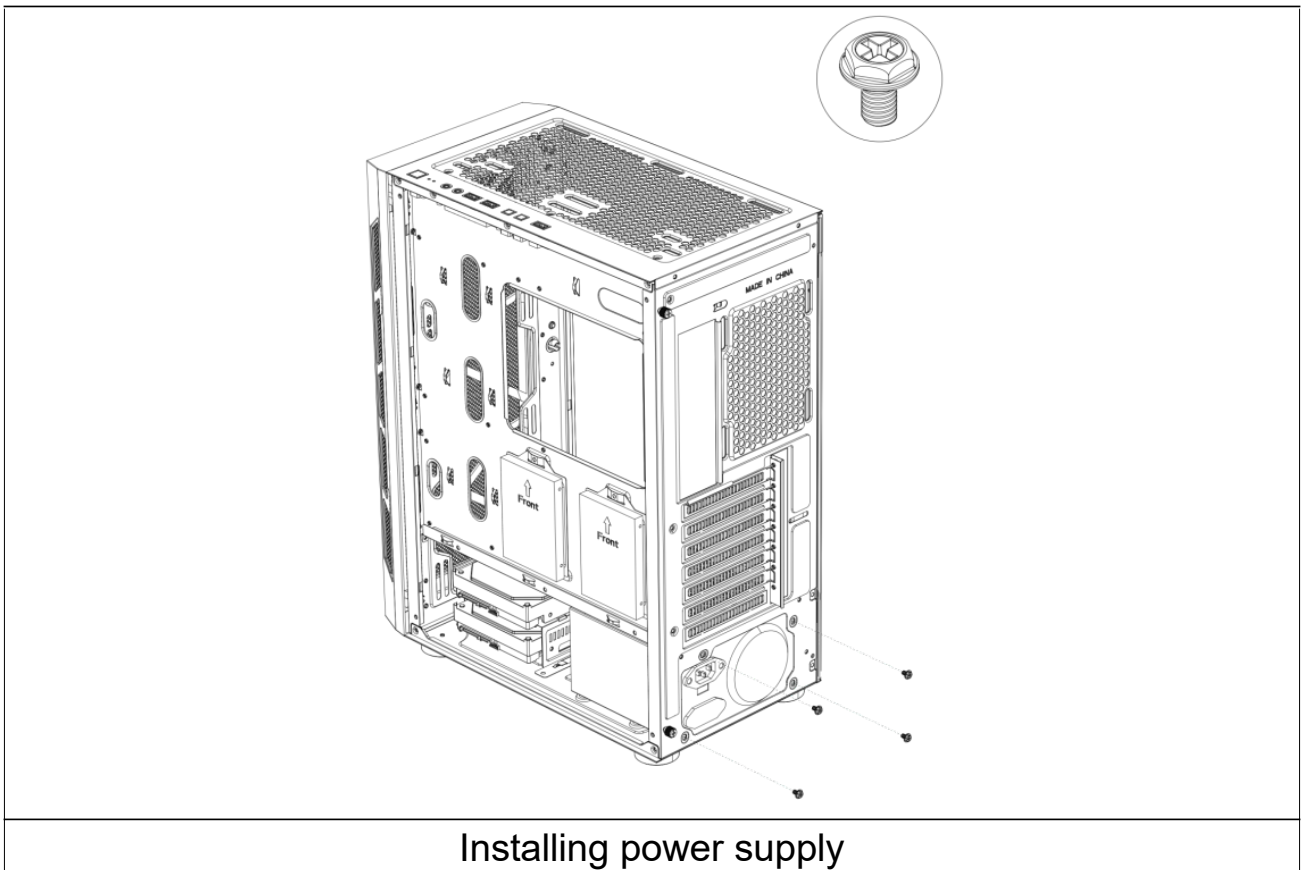
Installing the back fan

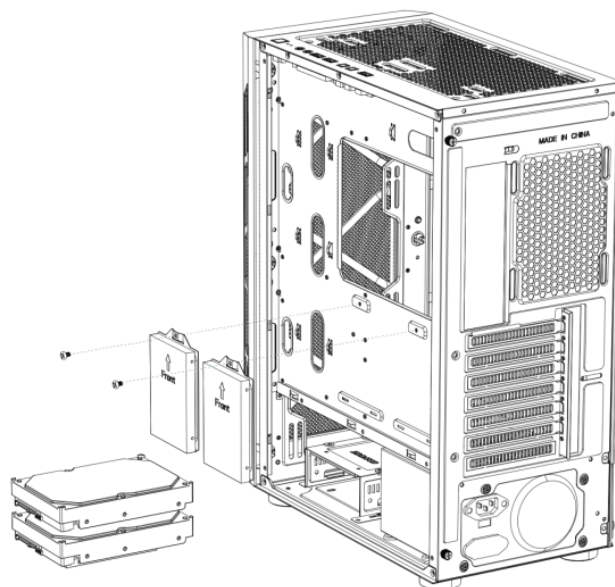


Installing the top fan of the power supply compartment

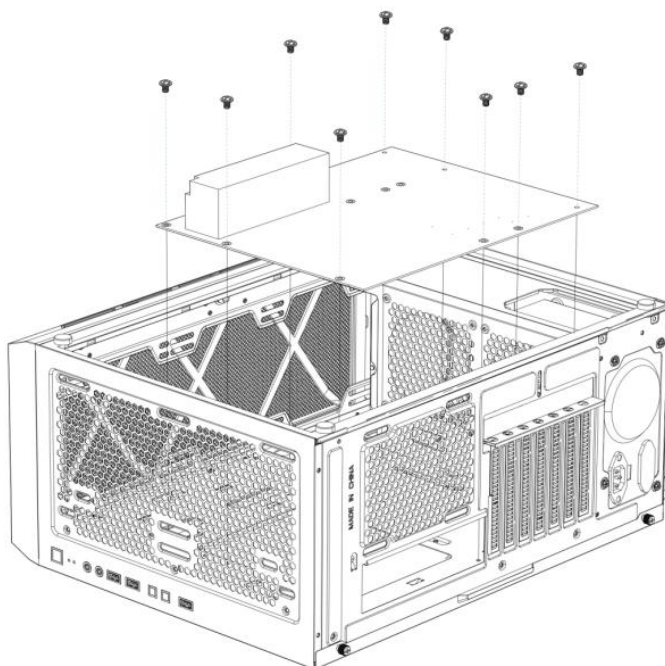


Radiators are NOT included.

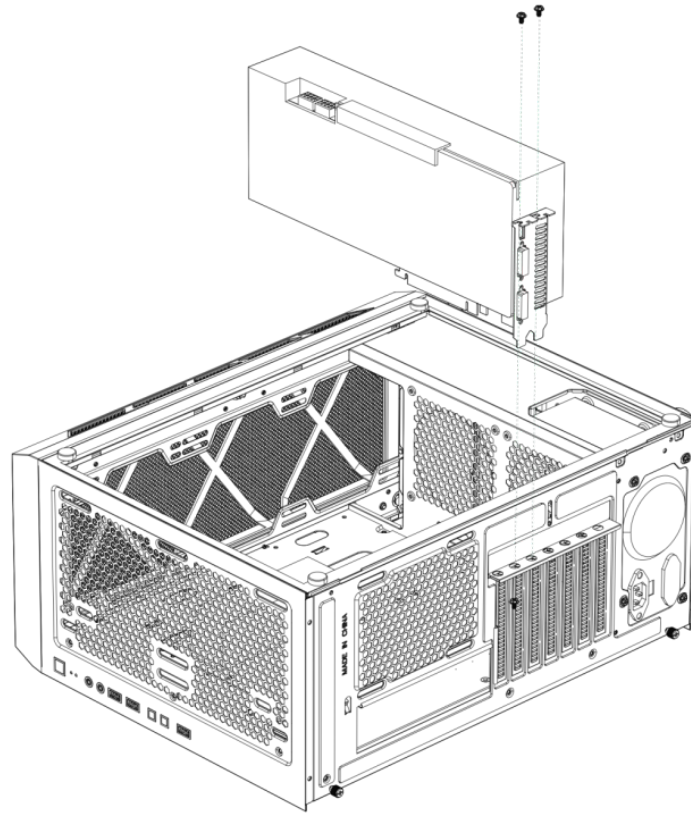




Installing SSD and HDD hard drives



Installing the motherboard



Installing a Graphics Card (up to 320mm)



Bluegears, Inc.
support@bgears.com
<http://www.bluegears.com>